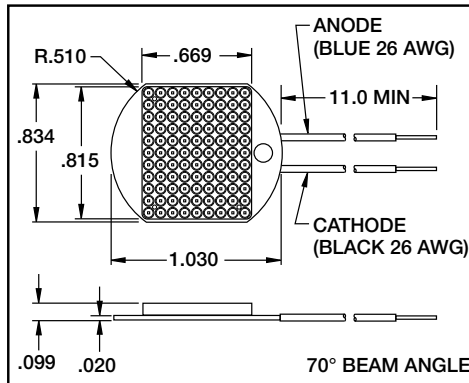
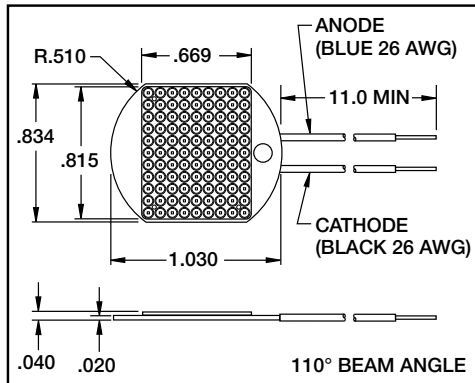


99 DIE LED ARRAY



FEATURES

- 110° and 70° beam angles
- Excellent thermal conductivity
- Available wavelengths from 405 to 870nm
- Higher temperature versions available

ELECTRO-OPTICAL CHARACTERISTICS AT 25°C

Part Number	Power Output (mW)		Luminous Output (Lumens)	Forward Voltage (Vf)@0.5A		Wavelength (nm)@0.5A	Radiation Beam Angle (Deg.)	Rise Time (nsec)
	Min	Typ	Typ	Typ	Max	Typ	Typ	Typ
OD-405-99-110	1300 ¹	1700 ¹		11.0	13.0	405	110	40
OD-405-99-070	1300 ¹	1700 ¹		11.0	13.0	405	70	40
OD-470-99-110	1900 ¹	2100 ¹		11.0	13.0	470	110	50
OD-470-99-070	1900 ¹	2100 ¹		11.0	13.0	470	70	50
OD-525-99-110	900 ¹	1200 ¹	250	11.0	13.0	525	110	50
OD-525-99-070	900 ¹	1200 ¹	250	11.0	13.0	525	70	50
OD-610-99-110	560 ¹	675 ¹	180	6.0	7.5	610	110	80
OD-610-99-070	560 ¹	675 ¹	180	6.0	7.5	610	70	80
OD-830-99-110	2800 ²	3300 ²		4.5	6.0	830	110	60
OD-830-99-070	2800 ²	3300 ²		4.5	6.0	830	70	60
OD-870-99-110	2800 ²	3300 ²		4.5	6.0	870	110	60
OD-870-99-070	2800 ²	3300 ²		4.5	6.0	870	70	60

ABSOLUTE MAXIMUM RATINGS AT 25°C³

Part Number	Power Dissipation (Watts)	Max Current (A)
OD-405-99-110	19.5	1.5
OD-405-99-070	19.5	1.5
OD-470-99-110	19.5	1.5
OD-470-99-070	19.5	1.5
OD-525-99-110	19.5	1.5
OD-525-99-070	19.5	1.5
OD-610-99-110	11.3	1.5
OD-610-99-070	11.3	1.5
OD-830-99-110	18.0	3.0
OD-830-99-070	18.0	3.0
OD-870-99-110	18.0	3.0
OD-870-99-070	18.0	3.0

THERMAL PARAMETERS

Storage and Operating Temperature Range	-55°C TO 100°C
Maximum Junction Temperature	100°C
Thermal Resistance J-C	3°C/W Typical

¹ @1.5 ADC

² @3.0 ADC

³ Unit must be bonded to an appropriate heat sink using adhesive, < 0.002" thick, with Thermal Conductivity of 29W/mK or better.

99 DIE LED ARRAY

